

Full Flow Air Knife In Stainless Steel
with Filter/Regulator & Shim Set
Part No. 2824SS



Product Description

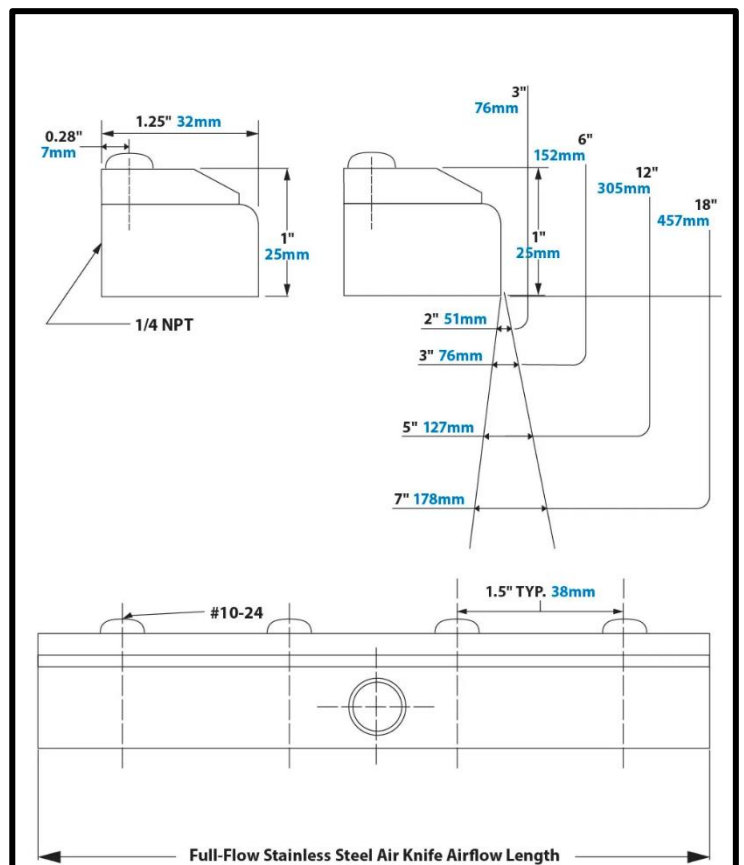
Full Flow Air Knife In Stainless Steel with Filter/Regulator & Shim Set 610mm Air Flow

Key Features

Air Flow Length: 610mm
Material: Stainless Steel
Inlets: 1/4" NPT Air Inlets On 2 Faces
Shim Installed: 0.05mm Thick

What's In The Bag?

Air Knife: 2624SS
Adaptor: 1/4" BSP to 1/4" NPT
Shim Set: 2924SS
Filter: 9002
Regulator: 9009
Mounting & Coupling Kit: 9047



Full Flow Air Knife In Stainless Steel
with Filter/Regulator & Shim Set
Part No. 2824SS



Full-Flow Air Knife Performance

Pressure Supply		Air Consumption per inch (25mm)		Velocity @ 6" (152mm) from target		Sound Level @ 3' (914mm)	Force per Inch (25mm) @ 6" (152mm) from target	
PSIG	BAR	SCFM	SLPM	FPM	M/S	dBA	OUNCES	GRAMS
20	1.4	1.1	31	3,000	15.2	64	0.4	11
40	2.8	1.8	51	5,000	25.4	72	1.0	28
60	4.1	2.4	68	7,500	38.1	76	1.6	45
80	5.5	3.1	88	10,000	50.8	80	2.3	65
100	6.9	3.8	108	12,000	61.0	83	2.9	82

12" (305mm) Full-Flow Air Knife tested with .002" (0.05mm) thick shim installed.