

Super Air Knife In PVDF with Filter/Regulator & Shim Set
Part No. 110206-PVDF



Product Description

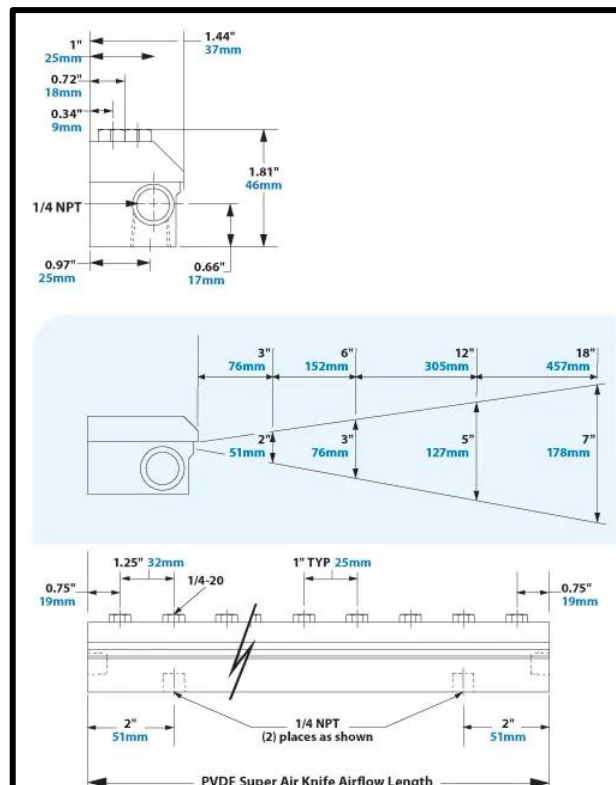
Super Air Knife In PVDF with Filter/Regulator & Shim Set 152mm Air Flow

Key Features

Air Flow Length: 152mm
Material: PVDF
Inlets: 1/4" NPT Air Inlets On 2 Faces
Shim Installed: 0.05mm Thick

What's In The Bag?

Air Knife: 110006-PVDF
Adaptor: 1/4" BSP to 1/4" NPT
Shim Set: 110306-PVDF
Filter: 9001
Regulator: 9008
Mounting & Coupling Kit: 9046



Super Air Knife Performance

Pressure Supply		Air Consumption per inch (25mm)		Velocity @ 6" (152mm) from target		Sound Level @ 3' (914mm)	Force per Inch (25mm) @ 6" (152mm) from target	
PSIG	BAR	SCFM	SLPM	FPM	M/S	dBA	OUNCES	GRAMS
20	1.4	1.1	31	5,000	25.4	57	0.6	17
40	2.8	1.7	48	7,000	35.6	61	1.1	31
60	4.1	2.3	65	9,600	48.8	65	1.8	51
80	5.5	2.9	82	11,800	59.9	69	2.5	71
100	6.9	3.5	99	13,500	68.5	72	3.2	91

12" (305mm) Super Air Knife tested with .002" (0.05mm) thick shim installed.